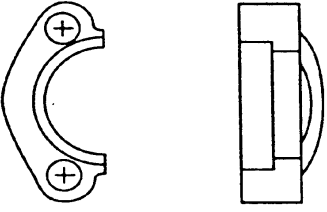
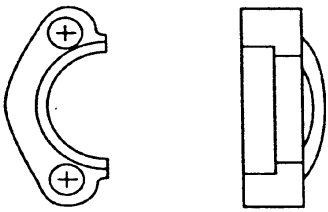

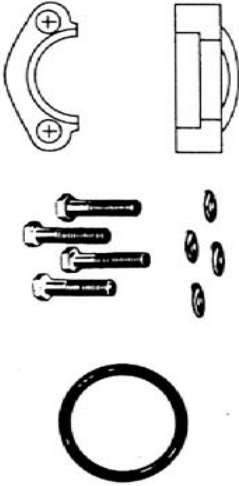
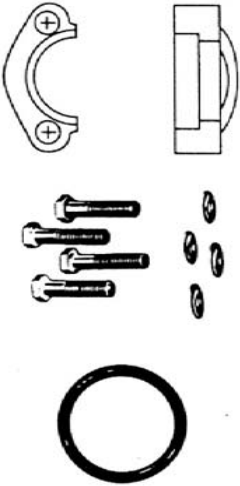

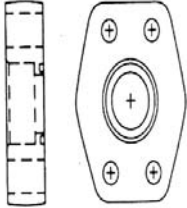
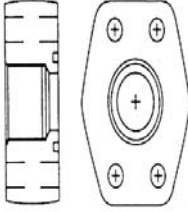
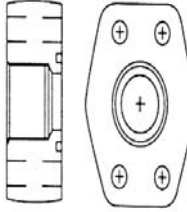
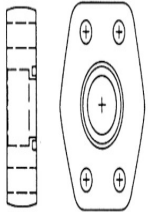
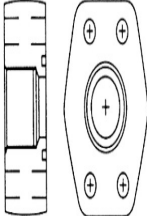
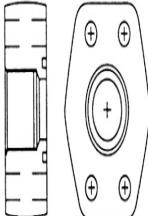
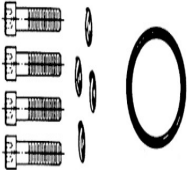
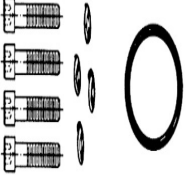
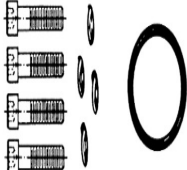
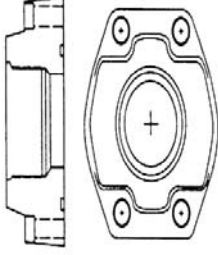
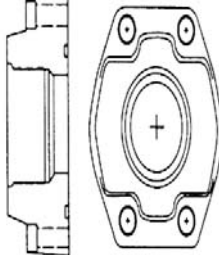

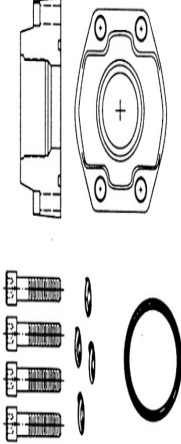
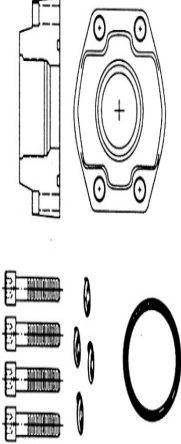
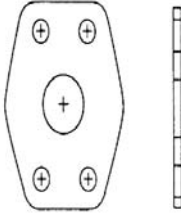
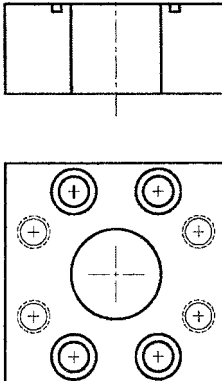
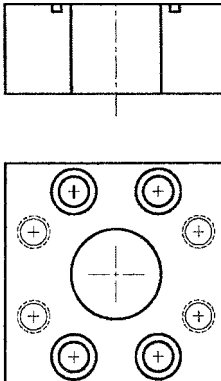
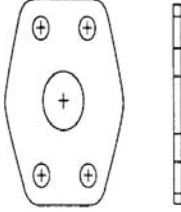
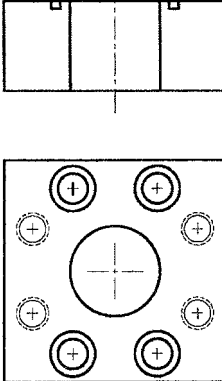
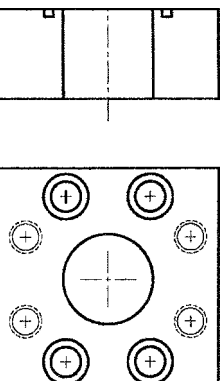


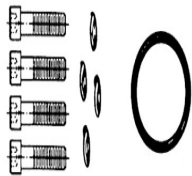
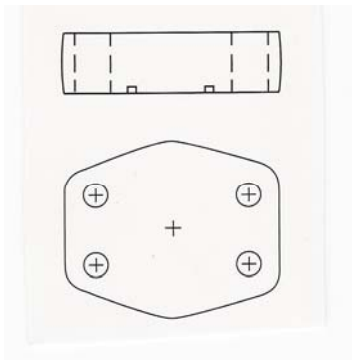
<b>PART NO.</b>	<b>NET EACH</b>	<b>PART NO.</b>	<b>NET EACH</b>	<b>PART NO.</b>	<b>NET EACH</b>
					
<b>SPLIT FLANGE HALVES CODE 61</b>		<b>SPLIT FLANGE HALVES CODE 62</b>		<b>FLANGE PLUG CODE 61</b>	
SF61-8	5.71	SF62-12	7.18	FP61-8	6.25
SF61-12	3.32	SF62-16	7.39	FP61-12	7.06
SF61-16	3.46	SF62-20	11.49	FP61-16	7.39
SF61-20	4.44	SF62-24	16.21	FP61-20	5.99
SF61-24	6.36	SF62-32	35.39	FP61-24	7.04
SF61-32	7.35			FP61-32	26.64
SF61-40	14.06				
SF61-48	23.86				
					
<b>SPLIT FLANGE KIT CODE 61</b>		<b>SPLIT FLANGE KIT CODE 62</b>		<b>FLANGE PLUG CODE 62</b>	
SFK61-8	13.10	SFK62-12	17.47	FP62-12	13.73
SFK61-12	9.08	SFK62-16	19.53	FP62-16	14.06
SFK61-16	9.71	SFK62-20	30.55	FP62-20	15.60
SFK61-20	12.56	SFK62-24	44.19	FP62-24	18.60
SFK61-24	16.80	SFK62-32	82.64	FP62-32	33.85
SFK61-32	18.78				
SFK61-40	32.49				
SFK61-48	54.15				

<b>PART NO.</b>	<b>NET EACH</b>	<b>PART NO.</b>	<b>NET EACH</b>	<b>PART NO.</b>	<b>NET EACH</b>
					
<p align="center"><b>FLAT SOCKET WELD PIPE BLOCK ONLY CODE 61</b></p>		<p align="center"><b>NPTF THREAD BLOCK ONLY CODE 61</b></p>		<p align="center"><b>NPTF THREAD BLOCK ONLY CODE 62</b></p>	
BF61-8-8SWP	25.99	BF61-8-8NPT	31.81	BF62-8-8NPT	57.17
BF61-12-12SWP	24.16	BF61-12-12NPT	19.67	BF62-12-12NPT	43.06
BF61-16-16SWP	25.45	BF61-16-16NPT	21.45	BF62-16-16NPT	49.45
BF61-20-20SWP	28.87	BF61-20-20NPT	23.51	BF62-20-20NPT	63.70
BF61-24-24SWP	40.05	BF61-24-24NPT	28.87	BF62-24-24NPT	85.12
BF61-32-32SWP	63.20	BF61-32-32NPT	42.57	BF62-32-32NPT	128.73
BF61-40-40SWP	93.43	BF61-40-40NPT	63.98		
BF61-48-48SWP	105.50	BF61-48-48NPT	92.07		
					
					
<p align="center"><b>FLAT SOCKET WELD PIPE KIT ASSEMBLY CODE 61</b></p>		<p align="center"><b>NPTF THREAD KIT ASSEMBLY CODE 61</b></p>		<p align="center"><b>NPTF THREAD BLOCK ONLY CODE 62</b></p>	
BFK61-8-8SWP	26.74	BFK61-8-8NPT	34.27	BFK62-8-8NPT	59.63
BFK61-12-12SWP	28.00	BFK61-12-12NPT	22.55	BFK62-12-12NPT	45.87
BFK61-16-16SWP	34.53	BFK61-16-16NPT	25.66	BFK62-16-16NPT	55.11
BFK61-20-20SWP	47.79	BFK61-20-20NPT	28.37	BFK62-20-20NPT	69.96
BFK61-24-24SWP	66.74	BFK61-24-24NPT	36.09	BFK62-24-24NPT	96.35
BFK61-32-32SWP	82.39	BFK61-32-32NPT	50.27	BFK62-32-32NPT	138.25
BF6K1-40-40SWP	101.26	BF6K1-40-40NPT	74.04		
BFK61-48-48SWP	170.53	BFK61-48-48NPT	104.73		

<b>PART NO.</b>	<b>NET EACH</b>	<b>PART NO.</b>	<b>NET EACH</b>	<b>PART NO.</b>	<b>NET EACH</b>
					
<p align="center"><b>SAE O-RING THREAD BLOCK ONLY CODE 61</b></p>		<p align="center"><b>SAE O-RING THREAD BLOCK ONLY CODE 62</b></p>		<p align="center"><b>FLAT SOCKET WELD PIPE COMPANION FLANGE CODE 61</b></p>	
BF61-8-8ORB	37.05	BF62-8-8ORB	45.37	CF61-8-8SWP	25.99
BF61-12-12ORB	22.29	BF62-12-12ORB	44.70	CF61-12-12SWP	24.16
BF61-16-16ORB	25.96	BF62-16-16ORB	51.63	CF61-16-16SWP	25.45
BF61-20-20ORB	29.03	BF62-20-20ORB	66.67	CF61-20-20SWP	28.87
BF61-24-24ORB	37.80	BF62-24-24ORB	85.12	CF61-24-24SWP	40.05
BF61-24-32ORB	93.57	BF62-32-32ORB	131.06	CF61-32-32SWP	63.20
				CF61-40-40SWP	93.43
				CF61-48-48SWP	105.47
					
<p align="center"><b>SAE O-RING THREAD KIT ASSEMBLY CODE 61</b></p>		<p align="center"><b>SAE O-RING THREAD KIT ASSEMBLY CODE 62</b></p>			
BFK61-8-8ORB	38.92	BFK62-8-8ORB	46.37		
BFK61-12-12ORB	28.16	BFK62-12-12ORB	51.39		
BFK61-16-16ORB	30.11	BFK62-16-16ORB	56.77		
BFK61-20-20ORB	34.88	BFK62-20-20ORB	74.60		
BFK61-24-24ORB	45.08	BFK62-24-24ORB	100.40		
BFK61-24-32ORB	99.84	BFK62-32-32ORB	147.06		

<b>PART NO.</b>	<b>NET EACH</b>	<b>PART NO.</b>	<b>NET EACH</b>	<b>PART NO.</b>	<b>NET EACH</b>
 <p><b>CONNECTOR PLATE CODE 61</b></p>		 <p><b>REDUCING BLOCK FLANGE CODE 61</b></p>		 <p><b>TRANSITION BLOCK FLANGE CODE 61</b></p>	
CP61-8	9.10	RBF61-12-8	20.41	TBF61/62-12-12	16.27
CP61-12	9.10	RBF61-16-12	24.48	TBF61/62-16-16	26.44
CP61-16	8.28	RBF61-20-12	29.15	TBF61/62-20-20	35.26
CP61-20	8.82	RBF61-20-16	34.98	TBF61/62-8-8	16.27
CP61-24	9.64	RBF61-24-16	40.95	TBF61/62-24-24	52.21
CP61-32	10.20	RBF61-24-20	46.58	TBF61/62-32-32	64.41
CP61-40	10.20	RBF61-32-20	59.94		
CP61-48	12.02	RBF61-32-24	71.80		
		RBF61-40-24	71.80		
		RBF61-48-32	87.73		
		RBF61-48-40	105.90		
 <p><b>CONNECTOR PLATE CODE 62</b></p>		 <p><b>REDUCING BLOCK FLANGE CODE 62</b></p>		 <p><b>TRANSITION BLOCK FLANGE CODE 62</b></p>	
CP62-12	8.89	RBF62-12-8	18.58	TBF62/61-8-8	16.27
CP62-16	9.45	RBF62-16-12	35.60	TBF62/61-12-12	16.27
CP62-20	9.78	RBF62-20-12	36.75	TBF62/61-16-16	26.44
		RBF62-20-16	40.75	TBF62/61-20-20	35.26
		RBF62-24-16	64.14	TBF62/61-24-24	52.21
		RBF62-24-20	71.80	TBF62/61-32-32	64.41
		RBF62-32-20	78.51		
		RBF62-32-24	104.68		

<b>PART NO.</b>	<b>NET EACH</b>	<b>PART NO.</b>	<b>NET EACH</b>	<b>PART NO.</b>	<b>NET EACH</b>
-----------------	-----------------	-----------------	-----------------	-----------------	-----------------



**BLANKING FLANGE KIT  
CODE 61**

BFK61P-8-8	39.02
BFK61P-12-12	39.16
BFK61P-16-16	42.60
BFK61P-20-20	50.98
BFK61P-24-24	61.45
BFK61P-32-32	92.63
BFK61P-40-40	133.94
BFK61P-48-48	155.74

<b>ANCHOR PART NO.</b>	<b>PHF PART NO.</b>	<b>ANCHOR PART NO.</b>	<b>PHF PART NO.</b>	<b>ANCHOR PART NO.</b>	<b>PHF PART NO.</b>
8CP	CP61-8	W36-8-8	BF61P-8-8	W44-16-16	BF62-16-16NPT
12CP	CP61-12	W36-12-12	BF61P-12-12	W44-20-20	BF62-20-20NPT
16CP	CP61-16	W36-16-16	BF61P-16-16	W44-24-24	BF62-24-24NPT
20CP	CP61-20	W36-20-20	BF61P-20-20	W44-32-32	BF62-32-32NPT
24CP	CP61-24	W36-24-24	BF61P-24-24	W44-8-8U	BFK62-8-8NPT
32CP	CP61-32	W36-32-32	BF61P-32-32	W44-12-12U	BFK62-12-12NPT
40CP	CP61-40	W36-40-40	BF61P-40-40	W44-16-16U	BFK62-16-16NPT
48CP	CP61-48	W36-48-48	BF61P-48-48	W44-20-20U	BFK62-20-20NPT
12CPX	CP62-12	W36-8-8U	BFK61P-8-8	W44-24-24U	BFK62-24-24NPT
16CPX	CP62-16	W36-12-12U	BFK61P-12-12	W44-32-32U	BFK62-32-32NPT
20CPX	CP62-20	W36-16-16U	BFK61P-16-16	W46-8-8	BF61-8-8ORB
8FOP	FP61-8	W36-20-20U	BFK61P-20-20	W46-12-12	BF61-12-12ORB
12FOP	FP61-12	W36-24-24U	BFK61P-24-24	W46-16-16	BF61-16-16ORB
16FOP	FP61-16	W36-32-32U	BFK61P-32-32	W46-20-20	BF61-20-20ORB
20FOP	FP61-20	W36-40-40U	BFK61P-40-40	W46-24-24	BF61-24-24ORB
24FOP	FP61-24	W36-48-48U	BFK61P-48-48	W46-24-32	BF61-24-32ORB
32FOP	FP61-32	W4-8-8	BF61-8-8SWP	W46-8-8U	BFK61-8-8ORB
12FOPX	FP62-12	W4-12-12	BF61-12-12SWP	W46-12-12U	BFK61-12-12ORB
16FOPX	FP62-16	W4-16-16	BF61-16-16SWP	W46-16-16U	BFK61-16-16ORB
20FOPX	FP62-20	W4-20-20	BF61-20-20SWP	W46-20-20U	BFK61-20-20ORB
24FOPX	FP62-24	W4-24-24	BF61-24-24SWP	W46-24-24U	BFK61-24-24ORB
32FOPX	FP62-32	W4-32-32	B61-32-32SWP	W46-24-32U	BFK61-24-32ORB
8SF-2	SF61-8	W4-40-40	BF61-40-40SWP	W48-12-12	BF62-12-12ORB
12SF-2	SF61-12	W4-8-8U	BFK61-8-8SWP	W48-16-16	BF62-16-16ORB
16SF-2	SF61-16	W4-12-12U	BFK61-12-12SWP	W48-20-20	BF62-20-20ORB
20SF-2	SF61-20	W4-16-16U	BFK61-16-16SWP	W48-24-24	BF62-24-24ORB
24SF-2	SF61-24	W4-20-20U	BFK61-20-20SWP	W48-32-32	BF62-32-32ORB
32SF-2	SF61-32	W4-24-24U	BFK61-24-24SWP	W48-8-8U	BFK62-8-8ORB
40SF-2	SF61-40	W4-32-32U	BFK61-32-32SWP	W48-12-12U	BFK62-12-12ORB
48SF-2	SF61-48	W4-40-40U	BFK61-40-40SWP	W48-16-16U	BFK62-16-16ORB
8SFO	SFK61-8	W43-8-8	BF61-8-8NPT	W48-20-20U	BFK62-20-20ORB
12SFO	SFK61-12	W43-12-12	BF61-12-12NPT	W48-24-24U	BFK62-24-24ORB
16SFO	SFK61-16	W43-16-16	BF61-16-16NPT	W48-32-32U	BFK62-32-32ORB
20SFO	SFK61-20	W43-20-20	BF61-20-20NPT	W61-8-8	CF61-8-8SWP
24SFO	SFK61-24	W43-24-24	BF61-24-24NPT	W61-12-12	CF61-12-12SWP
32SFO	SFK61-32	W43-32-32	BF61-32-32NPT	W61-16-16	CF61-16-16SWP
40SFO	SFK61-40	W43-40-40	BF61-40-40NPT	W61-20-20	CF61-20-20SWP
48SFO	SFK61-48	W43-48-48	BF61-48-48NPT	W61-24-24	CF61-24-24SWP
12SFX-2	SF62-12	W43-8-8U	BFK61-8-8NPT	W61-32-32	CF61-32-32SWP
16SFX-2	SF62-16	W43-12-12U	BFK61-12-12NPT	W61-40-40	CF61-40-40SWP
20SFX-2	SF62-20	W43-16-16U	BFK61-16-16NPT	W44-16-17	BF62-16-16NPT
24SFX-2	SF62-24	W43-20-20U	BFK61-20-20NPT		
32SFX-2	SF62-32	W43-24-24U	BFK61-24-24NPT		
12SFXO	SFK62-12	W43-32-32U	BFK61-32-32NPT		
16SFXO	SFK62-16	W43-40-40U	BFK61-40-40NPT		
20SFXO	SFK62-20	W43-48-48U	BFK61-48-48NPT		
24SFXO	SFK62-24	W44-8-8	BF62-8-8NPT		
32SFXO	SFK62-32	W44-12-12	BF62-12-12NPT		